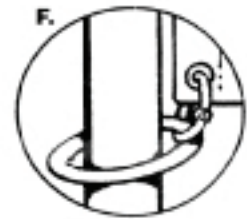
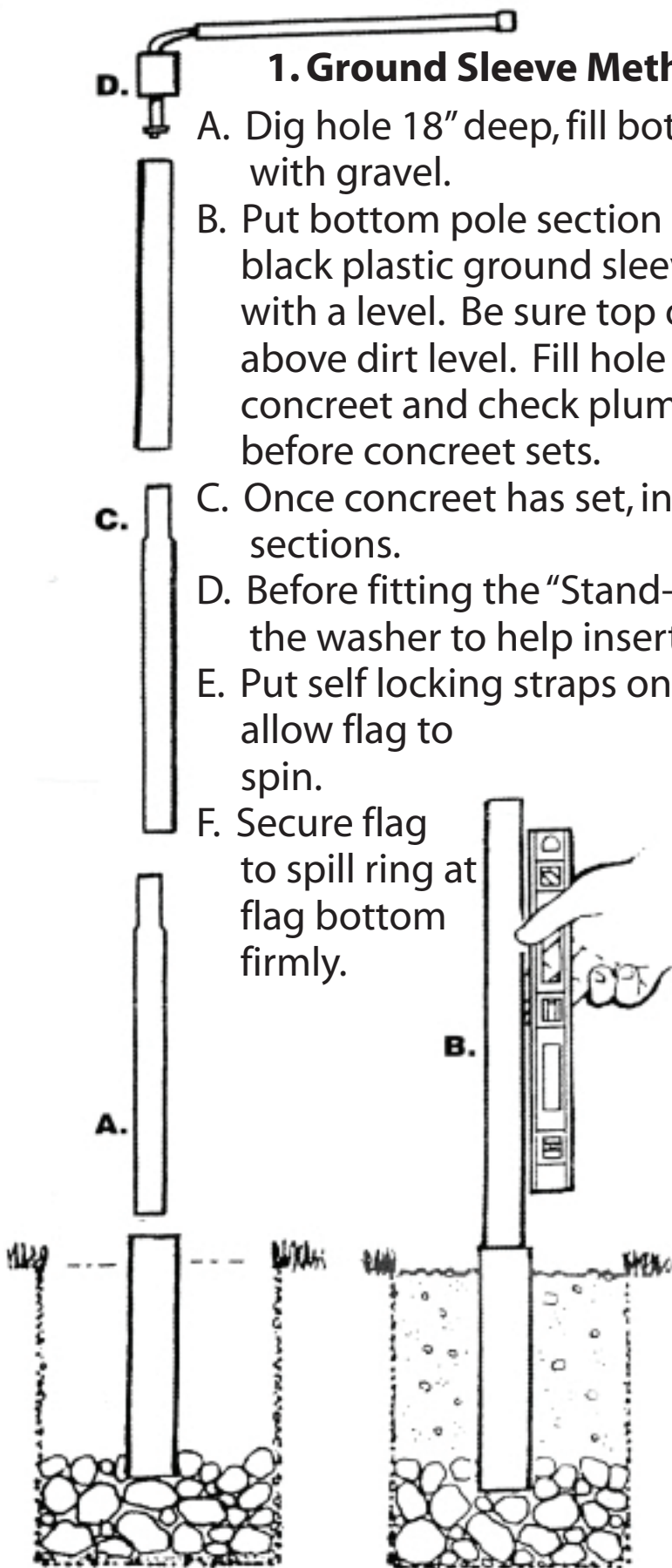


"Stand-Out Spinner" flag pole

1. Ground Sleeve Method

- A. Dig hole 18" deep, fill bottom 6" with gravel.
- B. Put bottom pole section into the black plastic ground sleeve and plumb with a level. Be sure top of sleeve is above dirt level. Fill hole with quick set concrete and check plumb again before concrete sets.
- C. Once concrete has set, insert pole sections.
- D. Before fitting the "Stand-Out" arm, wet the washer to help insertion.
- E. Put self locking straps on loosely allow flag to spin.
- F. Secure flag to spill ring at flag bottom firmly.

Place your "Stand-Out Spinner" Where it will not interfere with pedestrians, vehicles or obstructions.



2. Ground Socket Method (Ground socket sold separately)

- A. Screw into the ground to stop plate about 21"
- B. Place flag pole over top and insert locking pin.

Will need a pipe wrench to turn ground socket.

